

ABSOLUTE DIGIMATIC HEIGHT GAGE SERIES 570

SMALL TOOL INSTRUMENTS
AND DATA MANAGEMENT



Excellent Functionality and Cost Performance

Features

Slider Feed Wheel

- Smooth up/down displacement with the slider feed wheel identical to that of double-column height gages.



Large Clamp Lever

- Lever provides reliable slider clamp operation.



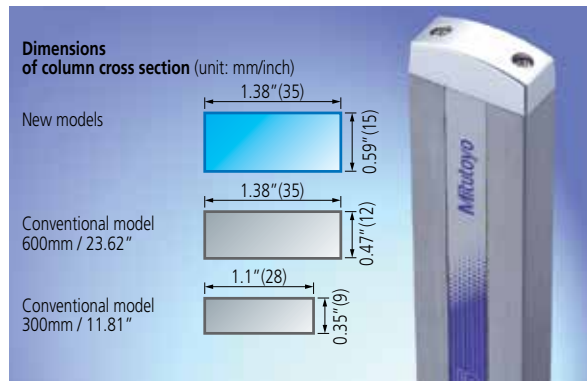
Base

- New base design makes it easy to move and hold.



Column

- Durable and high-measuring accuracy.
- Increased rigidity: 1.38 x 0.59" (35 x 15mm) common to all models.
- Instrumental error of 12"/300mm model: $\pm 0.0015"/\pm 0.03\text{mm}$, an improvement compared to earlier models.



Large LCD

- Character size: 0.39" x 0.15" (10 x 3.8mm), is easy to read.
- Readable in dark environments.




Built-in ABS (Absolute) Encoder

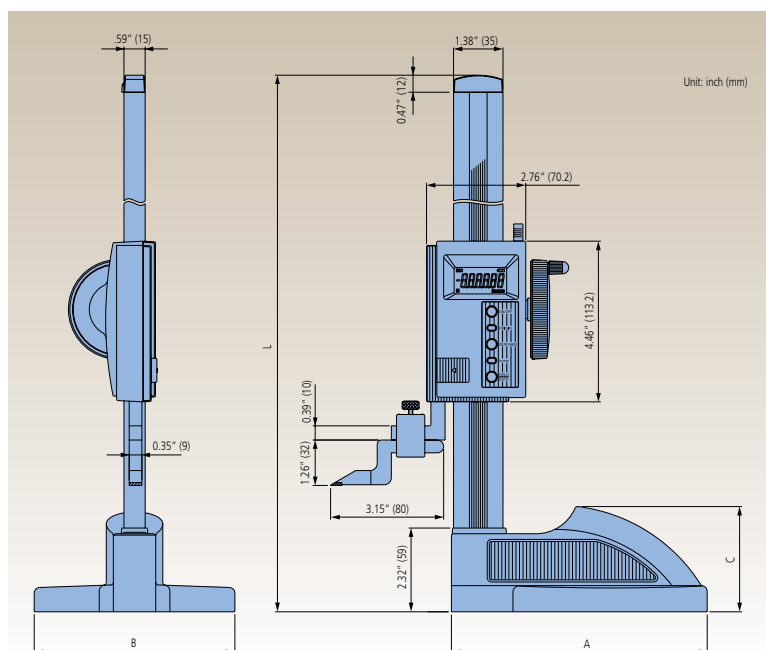
- Eliminates the need to set the reference point every time the unit is turned on.
- Eliminates over-speed errors.



Functions

- ORIGIN (Absolute Origin) Setting Function**
 The surface plate top, etc., can be stored as the absolute origin.
- ABS (Absolute) Measurement Function**
 After power-on, measurement can begin without zero-setting as required by previous models. Also, the absolute origin position can be changed with the ORIGIN (Absolute Origin) switch.
- INC (Incremental) Measurement Function**
 This function allows the origin setup at an arbitrary position in addition to the ABS (Absolute) Measurement Function. Turning the power off clears the new origin from memory and reverts the gage back to its original absolute origin.
- Hold Function**
 A display value can be held.
- Output Function**
 The output terminals of measured data allow you to establish a statistical process control system or a measurement support system.
- Low Battery Alarm**
 Notification of low battery life. "  "

Dimensions



Specifications

Order No.	570-302	570-304	570-312	570-313	570-314
Measuring range (mm/inch)	0 - 300mm	0 - 600mm	12"/300mm	18"/450mm	24"/600mm
Resolution (mm/inch)	0.01mm		.0005"/0.01mm		
Instrumental error*1	±0.03mm	±0.05mm	±.0015"/ ±0.03mm	±.0020"/±0.05mm	
Repeatability (mm/inch)	0.01mm		.0005"/0.01mm		
Display	6-digit LCD, character height of 10mm				
Response speed	Unlimited				
Power supply	SR44 (button-type silver oxide battery) 1pc: 938882				
Battery life	20,000 hours				
Functions	ORIGIN (absolute origin) setting function, ABS (absolute) measurement function, INC (incremental) measurement function, Hold function, Output function*2, and Low-battery alarm				
Mass lbs (kg)	10.14 (4.6)	14.11 (6.4)	10.14 (4.6)	13 (5.9)	14.11 (6.4)
Slider feed	Wheel rotation				
Standard accessories	Scriber: 07GZA000		Scriber: 900258		
Scriber clamp: 05GZA033	Scriber clamp: 901385				
Optional accessories	Holder arm C: 953638 (for mm), 953639 (for inch) Clamp with dovetail groove: 902053 /Connecting cable: 905338 (1m), 905409 (2m)				
L	20.0" (507mm)	32.0" (812mm)	20.0" (507mm)	26.1" (662mm)	32.0" (812mm)"
A	6.3" (160mm)	7.13" (181mm)	6.3" (160mm)	7.13" (181mm)	
B	4.8" (122mm)	5.6" (142mm)	4.8" (122mm)	5.6" (142mm)	
C	2.86" (72.6mm)	2.92" (74.1mm)	2.86" (72.6mm)	2.92" (74.1mm)	

*1: Quantizing error: ±1 count is not included. *2: Data output cable (option): 1m (**905338**) or 2m (**905409**)

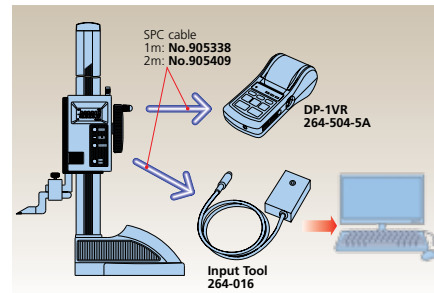
Optional Accessories

- Holder arm C allows a test indicator to be attached to this gage and the clamp (with a dovetail groove) (Refer to specifications).



Output Function Provided

- Measured data can be output to the small printer Digimatic Mini Processor DP-1VR (optional) or to a personal computer via the input tool (optional).



Coordinate Measuring Machines	Vision Measuring Systems	Form Measurement	Optical Measuring
Sensor Systems	Test Equipment and Seismometers	Digital Scale and DRO Systems	Small Tool Instruments and Data Management

Whatever your challenges are, Mitutoyo supports you from start to finish.

Mitutoyo is not only a manufacturer of top-quality measuring products but one that also offers qualified support for the lifetime of the equipment, backed by comprehensive services that ensure your staff can make the very best use of the investment.

Apart from the basics of calibration and repair, Mitutoyo offers product and metrology training, as well as IT support for the sophisticated software used in modern measuring technology. We can also design, build, test and deliver measuring solutions and even, if deemed cost-effective, take your critical measurement challenges in-house on a sub-contract basis.



Find additional product literature and our product catalog

www.mitutoyo.com

Note: All information regarding our products, and in particular the illustrations, drawings, dimensional and performance data contained in this printed matter as well as other technical data are to be regarded as approximate average values. We therefore reserve the right to make changes to the corresponding designs. The stated standards, similar technical regulations, descriptions and illustrations of the products were valid at the time of printing. In addition, the latest applicable version of our General Trading Conditions will apply. Only quotations submitted by ourselves may be regarded as definitive. Specifications are subject to change without notice.

Mitutoyo products are subject to US Export Administration Regulations (EAR). Re-export or relocation of our products may require prior approval by an appropriate governing authority.

Trademarks and Registrations

Designations used by companies to distinguish their products are often claimed as trademarks. In all instances where Mitutoyo America Corporation is aware of a claim, the product names appear in initial capital or all capital letters. The appropriate companies should be contacted for more complete trademark and registration information.

Mitutoyo

Mitutoyo America Corporation

www.mitutoyo.com

One Number to Serve You Better

1-888-MITUTOYO (1-888-648-8869)

M³ Solution Centers:

Aurora, Illinois (Headquarters)

Boston, Massachusetts

Huntersville, North Carolina

Mason, Ohio

Plymouth, Michigan

City of Industry, California

Birmingham, Alabama

Renton, Washington

Houston, Texas